

Pitot tube NPL type (L / straight)

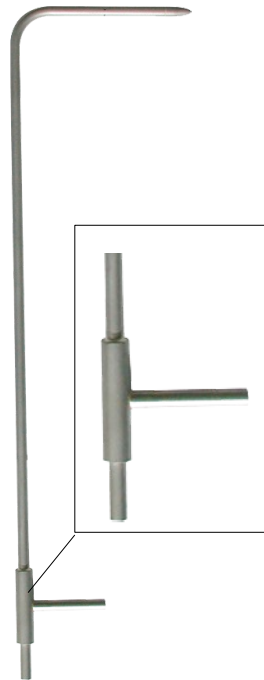


PRESENTATION

KIMO offers a broad range of **Pitot tubes** of great quality and accuracy realised according to the NF X 10-112 norm.

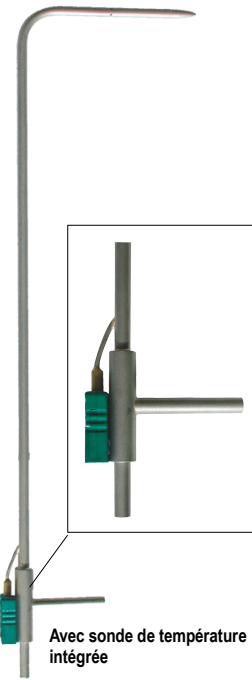
The KIMO **Pitot tubes**, connected to a differential column of liquid manometer, with needle or electronic, enable to measure the dynamic pression of a fluid in movement in a pipe and determine its speed in m/s and its flow in m³/h.

The **Pitot tubes** are used in climatic engineering, ventilation, dust-removal and pneumatic transport. They are particularly adapted for measurement in warm air, charged with particles and for high speed.



Pitot tube L type

Pitot tubes with ellipsoidal top.
A total pressure port and six holes of static pressure.
Body in full stainless steel.



Pitot tube L type with K TC

Pitot tubes with ellipsoidal top.
A total pressure port and six holes of static pressure.
K thermocouple probe lined integrated with connecting cable of 1.5 meter long.
Body in full stainless steel.



Pitot tube straight type and straight type with K TC

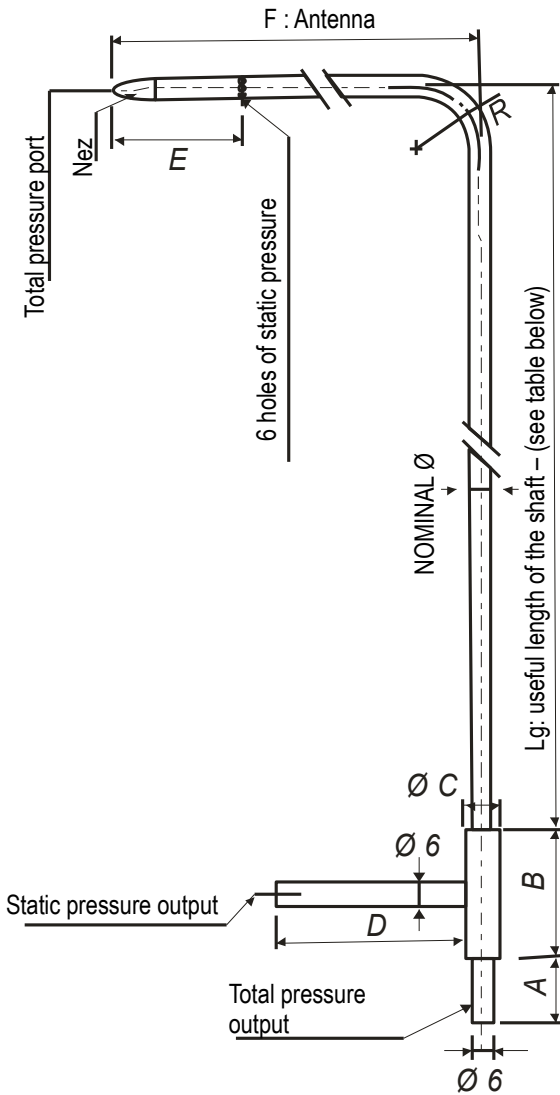
It enables to carry out measurement directly by immersing the tube in the air-diffusing equipment.
Diameter and sizes : same as the NPL curved Pitot.

FEATURES

Model	AFNOR NF
Coefficient	1,0015 ±0,01
Material	Stainless steel 316 L
Measurement range	0 to 100 m/s
Temperature of use	from 0 to 600 °C in standard and until 1000 °C in option
Static pressure	2 bar maximum in static, hereafter on request
Global accuracy of the measurement system	Better than 1% for an alignment in relation to the flow axis of the fluid of ±10°.
Standards	AFNOR NFX10-112. Annex of the 77.09.14 This standard is in accordance with the international standard ISO 3966.

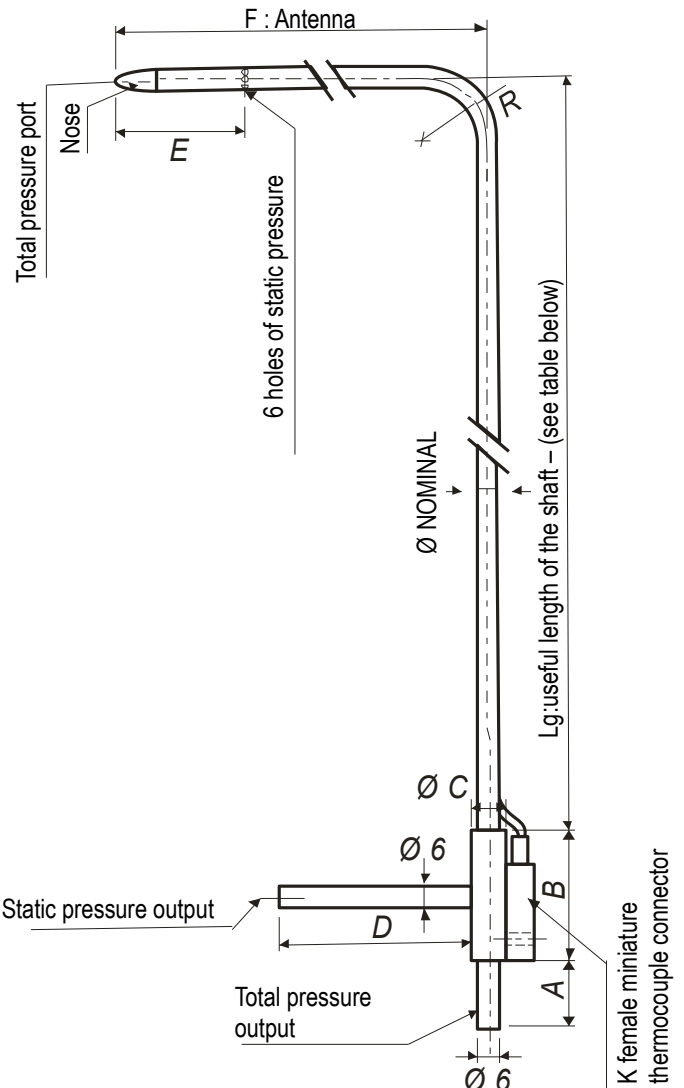


SIZES



Pitot tube L type

	A	B	ØC	D	E	F	R
Pitot tube Ø 3 mm	17	32	10	30	25	48	9
Pitot tube Ø 6 mm	25	40	10	40	48	96	18
Pitot tube Ø 8 mm	25	40	10	50	64	128	24
Pitot tube Ø 12 mm	25	50	16	70	96	192	36
Pitot tube Ø 14 mm	25	50	16	70	112	224	42



Pitot tube L type with K thermocouple



All dimensions and ratings of this document are specified in mm.

PRESENTATION OF THE RANGE

Pitot tubes L type and straight type

Pitot tubes L type and straight type with K thermocouple

Diameter	Reference L type	Reference straight type	Length
Ø3 mm	TPL-03-100	TPL-D-03-100	100 mm
	TPL-03-200	TPL-D-03-200	200 mm
	TPL-03-300	TPL-D-03-300	300 mm
Ø6 mm	TPL-06-300	TPL-D-06-300	300mm
	TPL-06-500	TPL-D-06-500	500 mm
	TPL-06-800	TPL-D-06-800	800 mm
Ø8 mm	TPL-08-1000	TPL-D-08-1000	1000 mm
	TPL-08-1250	TPL-D-08-1250	1250 mm
Ø12 mm	TPL-12-1500	TPL-D-12-1500	1500 mm
	TPL-12-2000	TPL-D-12-2000	2000 mm
Ø14 mm	TPL-14-2500	-	2500 mm
	TPL-14-3000	TPL-D-14-3000	3000 mm

Diameter	Reference L type	Reference straight type	Length
Ø3 mm	TPL-03-100-T	TPL-D-03-100-T	100 mm
	TPL-03-200-T	TPL-D-03-200-T	200 mm
	TPL-03-300-T	TPL-D-03-300-T	300 mm
Ø6 mm	TPL-06-300-T	TPL-D-06-300-T	300 mm
	TPL-06-500-T	TPL-D-06-500-T	500 mm
	TPL-06-800-T	TPL-D-06-800-T	800 mm
Ø8 mm	TPL-08-1000-T	TPL-D-08-1000-T	1000 mm
	TPL-08-1250-T	TPL-D-08-1250-T	1250 mm
Ø12 mm	TPL-12-1500-T	TPL-D-12-1500-T	1500 mm
	TPL-12-2000-T	TPL-D-12-2000-T	2000 mm
Ø14 mm	TPL-14-2500-T	-	2500 mm
	TPL-14-3000-T	-	3000 mm

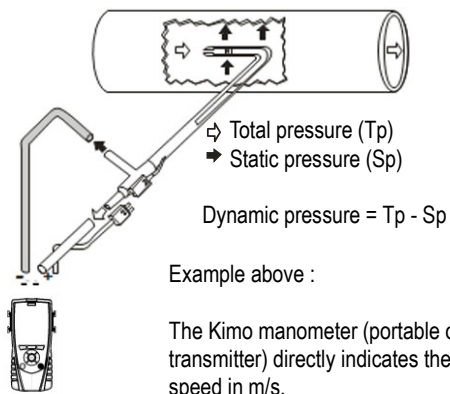
WORKING PRINCIPLE

The **Pitot tube** is introduced perpendicularly in the pipe by pre-determined points (cf. "Measurement").
 The antenna composed of an ellipsoidal nose (bow) maintained in parallel and in front of the flow to control.
 The total pressure (+) is picked up by the bow and is connected to the + sign of the manometer.
 The static pressure (-) picked up by the small holes located around the antenna is connected to the - sign of the manometer.
 The connecting cable of the K thermocouple is connected to the input K of the manometer (for the **Pitot tube type L with KTC**).

The device then indicates the dynamic pressure, sometimes called speed pressure.

The dynamic pressure corresponds to the difference between total pressure and static pressure : $Dp = Tp - Sp$

APPLICATION



- GTC Record
- GTC Analyse

Low differential pressure transmitter
CP210 and SQR/3



- Alarm
- Visualise
- Operate
- GTC Record
- GTC Analyse
- Graph in direct

Low differential pressure transmitter with digital display
C310 or CA 310 with SPI 2 – 100,500,1000, 10000 and SQR/3



- Alarm
- Visualise
- Record
- Analyse
- Graph in direct

Multifunction intelligent portable
AMI 310

MEASUREMENT

• Measurement of punctual velocity

$$V = C_F \sqrt{\frac{2 \Delta P}{\rho}} \quad \rho = \frac{P_o}{287.1 \times (\Theta + 273.15)}$$

With

C_F : coefficient of the flow device element
Pitot tube L : $C_F = 1.0015$

Θ : given temperature (°C)
 P_o : given atmospheric pressure (Pa)

• Flow measurement

Average (A) of several measurements of punctual velocity according to Log-Tchebychev (see measurement scheme above).

Flow calculating:

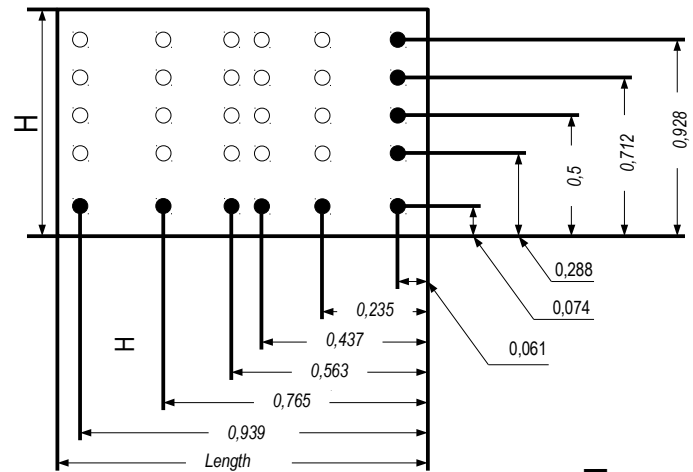
Flow = Velocity_A x Surface x 3600

Surface: surface of the circular or rectangular sheath in m²

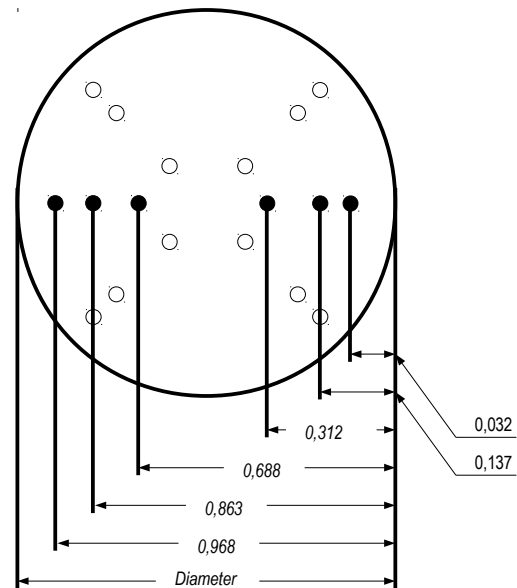
N.B: in the electronic devices, the surface is automatically adjustable.

With

Flow: in m³/h
Surface: in m²
V_A: in m/s



Log-Tchebychev in 3 points

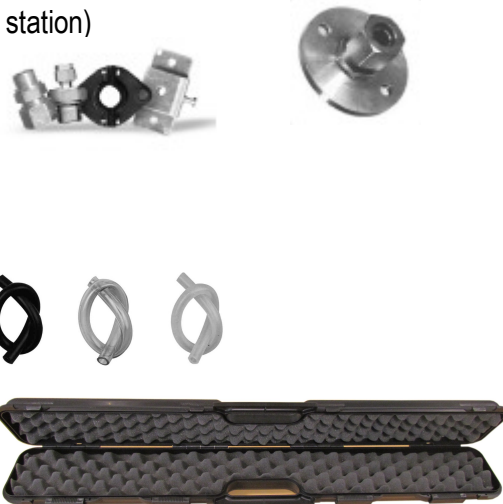


OPTIONS

- **Graduation** (mm) with red mark on the shaft, on request
- **TIG Welding** for a use up to 1000°C (except Pitot tube Ø3)

ACCESSORIES

- **Gland** in plated brass (for the installation of Pitot tubes for fixed station)
- **Mounting flange** stainless steel and cast iron
- **Sliding connections** with stainless steel turn or PTFE
- **Extension cable** for K thermocouple class 1
- **Stopper cap** in caoutchouc: bag of 10 pieces
- **Caps**: bag of 10 pieces
- **Tubes**:
 - Black silicone (4 x 7 mm) REF SN-47-1
 - Transparent silicone (4 x 7mm) REF SB-47-1
 - Cristal tube (5 x 8 mm) REF C-58-1
- **Transport case VTP type for Pitot tubes**:
 - 1210 X 320 mm, length 1000mm, max. Ø8
 - 810 X 100mm, length 500mm, max. Ø6
- **555 F/F**: spherical ball valve female / female
- **J.Y.C**: junctions in Y for a tube Ø 5 x 8 mm (bag of 10)
- **J.T.C**: junctions in T for a tube Ø 5 x 8 mm (bag of 10)



For every other cases, KIMO offers special realisations. Consult us, we intervene on plans study, machining.

www.kimo.fr

Distributed by :



EXPORT DEPARTMENT
Tel : + 33. 1. 60. 06. 69. 25 - Fax : + 33. 1. 60. 06. 69. 29
e-mail : export@kimo.fr

